

**DYNAFLO® 6220 / 6230**  
**Models: 62201/Q, 62203/W & 62303/W**

DEPEND ON  
**DAVEY**

**PUMPS**

**TRANSFER PUMPS**

**PRODUCT DESCRIPTION**

Rugged economical single stage centrifugal pumps. Designed for total heads to 136 ft (59psi) and flow to 130 gpm.

**APPLICATIONS**

- Water supply
- Water transfer
- Hosing down - dairies, factory floors etc.
- Tank filling
- Sprinkler supply
- Garden reticulation



Also available in 220/240 volt 50Hz single phase & 380/415 volt 50Hz three phase.

**FEATURES & BENEFITS**

Every pump is performance and pressure tested in our factory to ensure quality and reliability.

Cast iron pump casing with baked enamel finish inside & outside for long life.

Priming port can also be used for gage fitting for easy operation.

Proven, robust pump design for long life.

Davey manufactured motor with TEFC, 3420rpm, 2 pole motor is corrosion resistant for long term protection against vermin, dust and water.

Motor and pump are designed for frequent starts providing a long and reliable working life.

Built-in thermal overload protection with manual reset in all single phase models for long term motor protection.

Double contact seal, C3, high temperature greased bearings for long life and smooth running.

6ft, 15amp rated power cord fitted to all single phase models.

Single phase 62201/Q model is suitable for 208-230 volt, 60Hz, single phase supply.

Three phase 62203/W & 62303/W models are suitable for both 208-230 volt and 460 volt, 60Hz, three phase supply.

Corrosion resistant motor mounting feet for long life.

**OPERATING LIMITS**

	<b>6220</b>	<b>6230</b>
Capacities to	105gpm	130gpm
Maximum total head	123ft (53psi)	136ft (59psi)
Maximum suction lift		23ft
Maximum Water Temperature		120°F
Minimum Water Temperature		34°F
Inlet size		2" (F)
Outlet size		1 1/2" (F)
Maximum Casing Pressure		345ft (150psi)

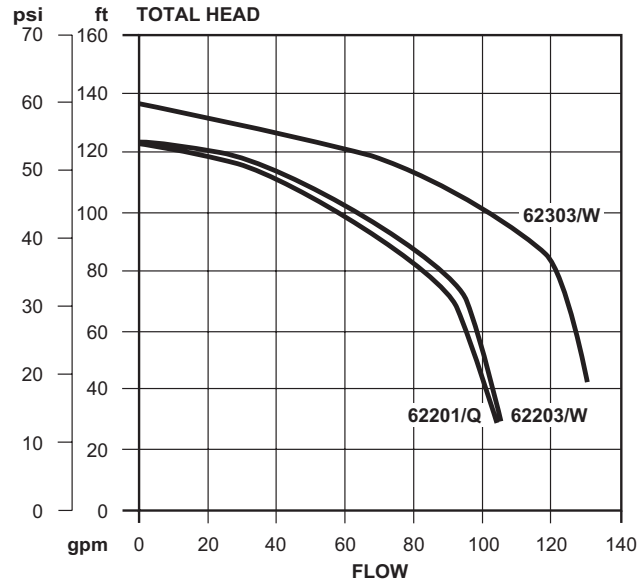


# TECHNICAL SPECIFICATIONS

## MATERIALS OF CONSTRUCTION

PART	MATERIAL
Impellers	Glass filled polycarbonate
Pump casing	Cast iron
Seal ring (stationary)	Ceramic
Seal ring (rotating)	Carbon
Shaft	304 stainless steel
Seal elastomer	Nitrile rubber
Pump o-rings	Nitrile rubber
Motor shell	Aluminium
Pump casing/motor shell finish	Baked polyester
Capacitor & terminal cover	Aluminium, baked polyester finish
Motor mounting feet	Xenoy® plastic
Motor through bolts	304 s/s with brass nuts
Motor fan	Polypropylene

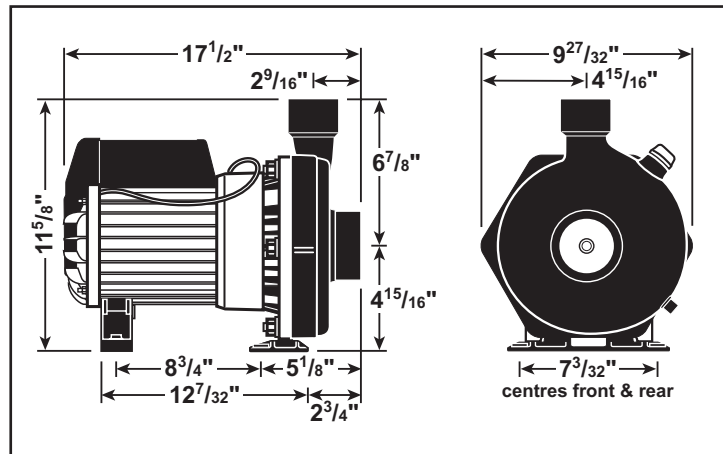
## HYDRAULIC PERFORMANCE



## ELECTRICAL DATA

	62201/Q	62203/W	62303/W		
Supply voltage	208/230	460	230	460	
Supply frequency	60Hz				
Phase	Single	Three			
Full load current	14A	9A	4.5A	12A	6A
Locked rotor current (A)	90A	95A	47.5A	95A	47.5A
Input power (kW)	2.6	2.8		4.1	
Output power (hp/kW)	3/2.3	3.2/2.4		4.7/3.5	
Insulation class	Class F				
Starting	P.S.C.	D.O.L.			
Certification	C.S.A.				

## DIMENSIONS



Mounting Holes Dia.	Inlet NPT	Outlet NPT	Priming Port NPT	Drain Port BSP	Net Weight (lbs)
3/8"	2"F	1 1/2"F	1/2"F	1/4"F	73

## INSTALLATION & PRIMING

- Installation with suction lift require a good quality foot valve to avoid loss of prime.
- To prime, fill pump body and suction line through priming plug hole located above suction inlet and replace plug.

DEPEND ON  
**DAVEY**

**PUMPS**

Order on-line at [www.daveyusa.com](http://www.daveyusa.com)

### Davey Products Pty Ltd

Member of the GUD Holdings Ltd Group  
ABN 18 066 327 517

**USA Distribution Center**  
1005 N. Commons Drive  
Aurora, Illinois 60504  
Ph: +1 630 898 6976  
Toll Free: +1 866 328 7867  
Fax: +1 630 851 7744  
Website: [www.daveyusa.com](http://www.daveyusa.com)  
E-mail: [sales@daveyusa.com](mailto:sales@daveyusa.com)

**Head Office**  
6 Lakeview Drive,  
Scoresby, Australia 3179  
Ph: +61 3 9730 9222  
Fax: +61 3 9753 4100  
Website: [www.davey.com.au](http://www.davey.com.au)

Offices also in Germany and New Zealand

This literature is not a complete guide to product usage. Further information is available from your Davey dealer, Davey Customer Service Centre and from the relevant product Installation and Operating Instructions. This data sheet must be read in conjunction with the relevant product Installation and Operating Instructions and all applicable statutory requirements. Product specifications may change without notice.

© Davey and Dynaflo are registered trademarks of Davey Products Pty Ltd.  
© Davey Products Pty Ltd 2003.

USA017-1/1K/1004/GPW Supersedes USA017/1K/1003/GPW